

■ **Multiple output interfaces:**

Supports 2 HDMI, 1 SDI, 1 LAN and 1 UVC video signal output interfaces, convenient for connecting to different display devices and network streaming;

■ **4K60 HDMI input supports:**

The HDMI interface supports up to 4K60 input to meet the needs of high-definition video sources;(*Only HDMI IN1 and HDMI IN2 interfaces support 4K60 input)

■ **Support RTMP protocol, live broadcast at any time:**

Support RTMP streaming media protocol, real-time live streaming, to meet the needs of live events; support code stream size setting;

■ **Preview/Program Output:**

You can choose to set the signal output to PGM, PVW or MultiView 1080p output;

■ **A variety of PIP layouts and transition effects, switch freely according to needs:**

Supports multiple PIP and POP layouts and multiple transition effects, and can freely adjust and crop the picture-in-picture size, enhancing the flexibility of video editing and creation;

■ **MP4 video recording to preserve wonderful works:**

Support MP4 format video recording and saving to USB mobile hard disk and SD card, which is convenient for storage and later video production;

■ **Convenient and fast camera control function:**

Supports VISCA Over IP and VISCA control protocols, and provides 4D joystick PTZ control function to facilitate the movement of the PTZ camera;

■ **Powerful WEB control background:**

Support remote control of broadcasting and parameter configuration through WEB background, and support WEB background equipment upgrade;

■ **Support Chinese and English multiple language operation interface:**

Support Chinese and English multiple language operation interface:

Specifications

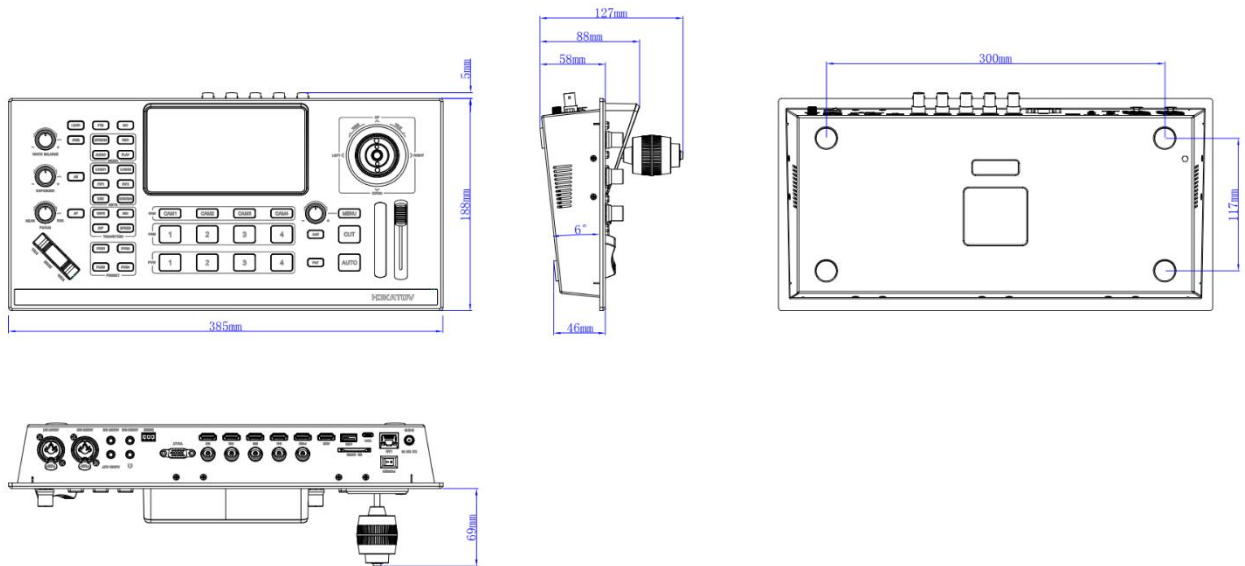
Key Features	
Video input interface	4 channels HDMI or 4 channels SDI, 1 channel USB (local media video) or 1 channel NDI
Video output interface	2 channels HDMI and 1 channel SDI output simultaneously, support PGM, PVW, MultiView 1 channel USB output, USB supports audio and video output 1 channel IP output, supports RTMP Supports UVC and IP output simultaneously
Audio input interface	4 channels HDMI audio input 2 channels 3.5mm Line IN input 2 channels XLR audio interface input, supports phantom power

Audio output interface	2 Sets of 3.5mm Headphone Monitoring Jacks
RJ45 Ethernet	RJ45x1, Ethernet supports 10/100/1000 BaseT, can be used for live streaming, background settings, software updates
Other interfaces	1xUSB TYPE C for UVC video output 1xUSB TYPE A; external USB storage (FAT32, NTFS, exFAT) 1xSD CARD for video recording storage
Format parameters	
Video Input Format	2160p 60/59.94/50/30/29.97/25/24/23.98(HDMI2.0 interface) 1080p60/59.94/50/30/29.97/25/24/23.98 1080i60/1080i50
Video output Format	1080p60/59.94/50/30/29.97/25/24/23.98 1080i60/1080i50
HDMI Color Space	RGB/YUV
USB Capture Output	Maximum 1080P60, support USB audio output
Local file playback	Video file format: MP4 Image file format: PNG, JPG, BMP
File Recording Format	MP4
Storage Media	Support USB storage (FAT32, NTFS, exFAT) SD card video recording storage
File recording resolution	1920×1080
Real-time playback of files	support
Specifications	
Video System	FULL HD
Monitor screen	5.5 inches
Monitor Minimum Resolution Requirements	1920x1080 pixels
Logo	2 set
Operation Mode	Supports switching between horizontal (16:9) and vertical (9:16) screens
Tally	Support DB-15
Transition Switching	CUT & AUTO
Transition Effects	30 special effects, the switching time can be set
PIP Model	Support PIP and POP modes, and can cut and adjust the video screen size at will
Layers	PGM can support 8 layers. Layer editing supports: size, position, graphic mask, area mask
Keying	Chroma key, Luma Key

Language Mode	Simplified Chinese, English
Audio	
Mixer	Multi-channel audio virtual mixer, each channel can be switched on and off and set mode
Analog Audio Input	2 channels 3.5mm Line IN input, gain range (-60-24db) 2 channels XLR audio interface input
Analog Input Delay	0-500ms
Analog audio output	1 channel unbalanced stereo output line out 1 channel headphone monitor output
Audio input level range	0dB~60dB
Audio sampling rate	48kHz
Audio Format	AAC encoding; streaming and recording 2 channels, 16bit, compression bitrate support: 128k (default), 48k, 64k, 96Kbps;
PTZ control	
PTZ control	VISCA Over IP Control Protocol
PTZ control quantity	4 channels
PTZ Camera Control Method	4D Joystick
Aperture Control	Support
Focus Control	Support manual/automatic
Exposure control	Support manual/automatic
Exposure mode	Red gain value, blue gain value adjustment
Network	
Remote Control	Support mobile phone control, WEB page control
Firmware Upgrade	Connect directly to a Windows computer using the Ethernet interface.
Power supply	
Input voltage	External 12V power supply
Input Current	A (max)
PoE	Not supported
Rated Power	W (max)
Other	
Usage Environment	indoor
Operating Temperature	0~40℃
Storage temperature	-10~60℃
Color	black

Dimensions	(Width) 385* (Depth) 188* (Height) 127mm (including joystick height)
Quality	2.2kg

Dimension



Application scenarios

