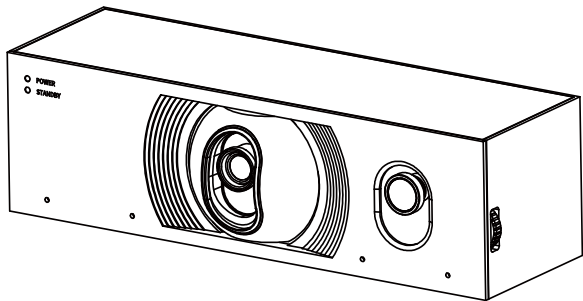


Dual-lens 4K Tracking Camera



User Manual

Contents

1	Safety Precautions	1
2	Pack List	2
3	About Product	2
3.1	Features	2
3.2	Interface and Indicator	2
3.3	Dimension	3
4	Product Installation	4
5	Product Connection	5
6	WEB Settings	6
6.1	Access Camera	6
6.2	Control Camera	6
7	Maintenance and Troubleshooting	8

1 Safety Precautions

- During the installation and use of the equipment, all electrical safety regulations of the country and region of use must be strictly observed.
- Please use the power adapter that comes standard with this product.
- Please do not connect multiple devices to the same power adapter (exceeding the capacity of the adapter may generate excessive heat or cause a fire).
- Do not rotate head of the camera by hand, otherwise it may cause mechanical failure.
- When installing this product on a wall or ceiling, secure the device securely. When installing, make sure that there are no obstacles within the rotation range of the gimbal; do not turn on the power until all installations are completed.
- To avoid heat build-up, keep ventilation around the device smooth.
- If the device emits smoke, smells, or makes noises, please turn off the power immediately and unplug the power cord, and contact the dealer in time.
- This device is not waterproof, please keep the device dry.
- This product has no user

serviceable parts, damage caused by disassembly by the user is not covered by the warranty.

**Note**

Specific frequencies of electromagnetic field may affect the image of the camera!

2 Pack List

Name	Quantity
Camera	1
Power Adapter	1
Installation Bracket (with screws)	1
User Manual	1

3 About Product

3.1 Features

- **Dual-Lens Integration**

With an 8-megapixel close-up lens and a 5-megapixel wide-angle panoramic lens, the camera covers the entire classroom while delivering high-definition close-up shots.

- **Ultra HD Close-Up**

The small FoV close-up lens

- **Multiple Output Interfaces**

Supports various video output interfaces, including PoE, USB 3.0, and SDI, to meet the requirements of recording hosts, large-screen OPS, and other video input needs.

- **PoC and PoE**

Supports PoC (Power over Cable) and PoE (Power over Ethernet), integrating power, video, audio, and control into one cable.

3.2 Interface and Indicator

significantly enhances the clarity of close-up images.

- **Intelligent Tracking**

Equipped with advanced image recognition and tracking algorithms, the camera achieves smooth and natural tracking without additional positioning cameras or tracking hosts. You can pre-install different cameras for teacher or student tracking.

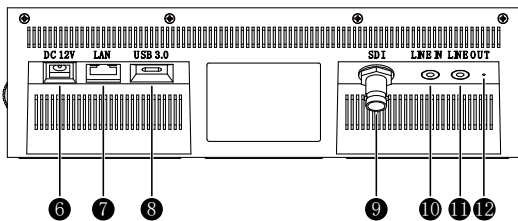
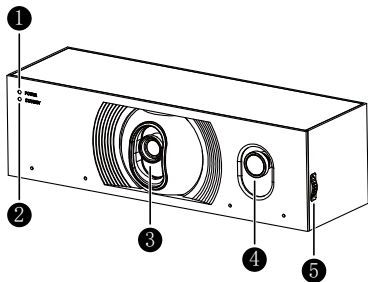
- **Micro Pan-Tilt**

The camera features micromechanical pan-tilt with a horizontal rotation range of $\pm 40^\circ$, complemented by the auto-focus close-up lens for teachers, ensuring a clearer view for instructors. It also supports electronic pan-tilt, offer greater flexibility and clarity. Seamless integration of mechanical and electronic pan-tilt reduce minor mechanical movements.

- **Built-in Director**

Offers external and internal director options to meet the needs of different recording hosts and interactive terminals. It can output multi-camera director streams via network or USB interfaces when used in pairs as teacher and student cameras.

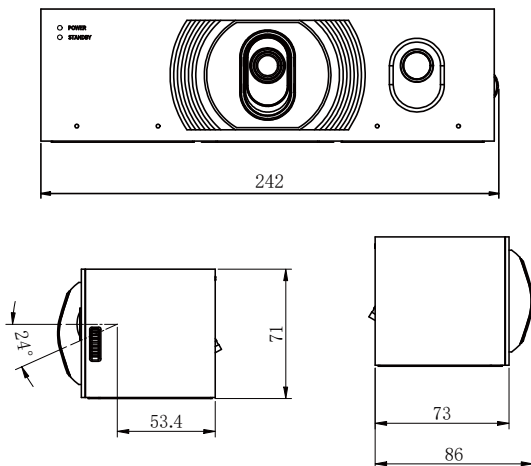
Manual

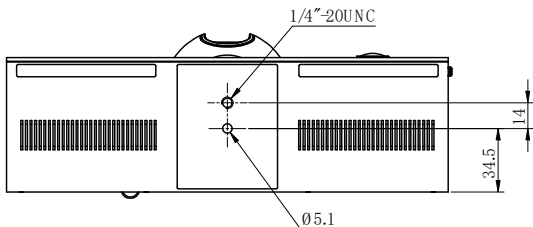


No.	Name
1	POWER Indicator
2	STANDBY Indicator
3	Close-up Camera Lens
4	Panorama Camera Lens
5	Adjust Roller (adjust the angle of the panorama lens +0°~-24°)
6	DC 12V Power Interface
7	LAN Interface
8	USB 3.0 Interface
9	SDI Interface
10	LINE IN Interface
11	LINE OUT Interface
12	RESET Key

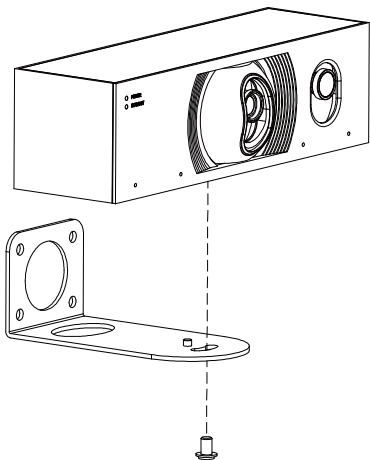
3.3 Dimension

Unit: mm

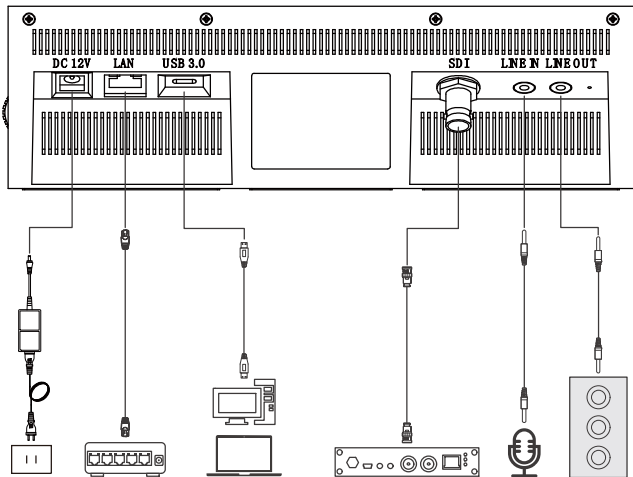




4 Product Installation



5 Product Connection



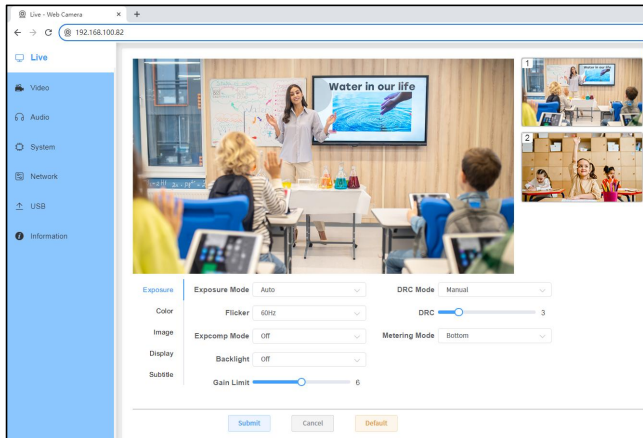
Note

The schematic diagram is for reference only. Please refer to the actual application scenario for product connection.

6 WEB Settings

6.1 Access Camera

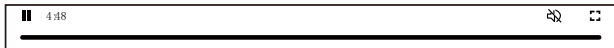
Access the camera IP address, enter username and password in the browser to login WEB interface. (Default IP, username and password can be found on the label of the camera)




6.2 Control Camera

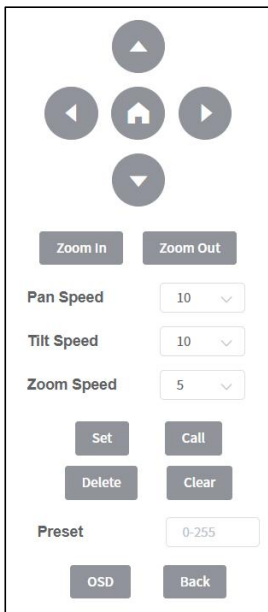
A. Video Playback Area

The video window matches the video resolution. A higher resolution means a larger playing area.



: Video image display full screen.

B. Lens Setup



● Pan and Tilt Control

The direction arrows and HOME button allow individuals to manually drive the camera to the desired position.

● Zoom

Zoom In and Zoom Out buttons allow for wide or narrow view of the space.






● Speeds

Pan Speed rate can be set to 1~24, Tilt Speed rate can be set to 1~20. Select the corresponding speed value and then click the lens direction key to achieve fast or slow rotation of the lens. Zoom Speed rate can be set to 1~7. Select the corresponding speed value and then click on the zoom control area to achieve fast or slow zoom of the lens.

● Preset

Enter the preset number that the user wants to set in the "Preset" text box. Click "Set" to save the preset position. When the camera moves to another position, enter the preset number in the preset position box and click "Call". The camera will return to the position set by the user.

● OSD

When you select OSD, the image preview page enters the menu mode, and the OSD menu is displayed in the upper left corner of the image preview page. The menu can be selected through the   keys in the direction control area, the  key can enter the submenu, and the   keys can be used to modify the submenu.

C. Language Selection



Click to select “Chinese” or “English” to change language of the webpage.

7 Maintenance and Troubleshooting

Camera Maintains

- If camera will not be used for a long time, please turn off power switch, disconnect AC power cord of AC adapter to the outlet.
- Use soft cloth or tissue to clean the camera cover.
- Please use the soft dry cloth to clean the lens. If the camera is very dirty, clean it with diluted neuter detergent. Do not use any type of solvents, which may damage the surface.

Unqualified Application

- Do not shooting extreme bright object for a long period of time, such as sunlight, illuminant, etc.
- Do not operating in unstable lighting conditions, otherwise image will be flickering.
- Do not operating close to powerful electromagnetic radiation, such as TV station or radio transmitters, etc.

Troubleshooting

Image

- The video image displayed by the camera lens is jittery
 - 1) Check whether the camera installed position be stabled.
 - 2) Check whether have vibrating machinery or object near the camera.

- There is no video image in browser

That do not support IE browser and IE core browser, it is recommended to use Google, Firefox and Edge browsers. The camera video image will be displayed normally.

- Unable to access camera through browser
 - 1) Using PC to access the network to test that the network access can work properly to eliminate the network fault caused by cable and PC virus until the PC and camera can ping each other.
 - 2) Disconnect the network, connect camera and PC separately, and reset the IP address of PC.
 - 3) Ensure that the IP address, subnet mask and gateway settings is correct.
 - 4) Check whether the MAC address is conflicts.
 - 5) Check whether the web port is modified, the default web port is 80.

- Forget the IP address or password for logging into the WEB interface
Default IP, username and password can be found on the label of the camera.