

4D Keyboard PTZ Camera Controller

This camera controller is built-in 3-inch screen. With powerful operation, it solves the troubles while operating the camera via web. The adoption of industrial-grade LED module make the display excellent and the character clear. This controller support VISCA, ONVIF, PELCO, and NDI protocols, it fully compatible with VISCA with powerful extension. The web client terminal makes the configuration interface simple and clear.



NDI

3-inch LCD 4-Screen	4D Rocker	Real-time image preview	POE	NDI Optional
---------------------------	-----------	-------------------------------	-----	--------------

Key Features

- 4D Precise Joystick + 3D Knobs + Ergonomic Zoom Button**
 Camera parameters control such as white balance, exposure, focus and zoom etc.
- Built-in 3-inch color screen**
 Support real-time PVW of current camera viewing through up streaming (NDI|HX2 and RTSP only). Streaming supports up to 4Kp30 Ultra HD resolution video streams.
- Powerful WEB background operation interface**
 Support remote customized functions and parameter configuration through the WEB background, and support WEB device upgrades.
- Support 7 cameras selection shortcuts**
 7 camera shortcuts can be set quickly according to requirements; Up to 1000 cameras information can be saved.
- Remote control of PTZ camera menu**
 Open camera's menu quickly and combine PVW screen or image screen to control.
 * This function is recommended to be used with our camera.
- Support customization buttons**
 Support customization buttons F1, F2,F3, F4, can set the best operation function according to requirement.
- White and red backlight silicone buttons**

High-quality silicone, excellent touch, support white and red backlight so it can be operated smoothly in a low-light environment; support letters and common characters input and other operations such as editing camera's name and address.

- Support buttons lock via one click**
 Lock buttons via one click to avoid noncooperation.
- Multiple control protocols, apply to abundant venues**
 Supports VISCA, VISCA Over IP, VISCA TCP, PELCO P/D, Onvif, and NDI® (optional) control protocols, with automatic protocol recognition.
- Abundant interfaces, multiple connection methods**
 External RS422/485 serial port and RJ45 network interface. The network interface supports POE function, thereby reducing wiring trouble.



Technical Specification

Model	MPC10/MPC10-NDI
-------	-----------------

Keyboard Specification

Joystick	4D precision Joystick
Knobs	3D knobs, Supports calibrated parameter adjustments through rotation.
Buttons	High-quality silicone buttons, support white and red two-color backlight
Screen	3" LCD color display
Button Prompt Tone	Button sound prompt On/Off
Lock Button	Support one-key lock function
Max. Control Quantity	1000
Max.Preset Position	255

Customized Knob

Horizontal Speed	Support
Tilt Speed	Support
Zoom Speed	Support
Aperture	Support
Shutter	Support
Gain	Support
Exposure Mode	Support
Red Gain	Support
Blue Gain	Support
Keying	Support
Wb Mode	Support
Wb Speed	Support
Gain Limit	Support
Maximum Shutter Speed	Support
Minimum Shutter Speed	Support
Auto Exposure Speed	Support
Exposure Compensation	Support
Blc	Support
Ir Filter	Support
Nd Filter	Support
Gamma Curve	Support
Gamma Offset	Support
Gamma Pattern	Support
Anti-Flicker	Support
Noise Reduction Mode	Support
Noise Reduction Value	Support
Ptz Reset	Support

Digital Zoom	Support
Auto Focus	Support
Manual Focus	Support
Camera	Support
Camera Select	Support
User Instructions	Support

Control

Control Interface	RJ45 (supports POE and NDI® HX2 optional)、RS-422/485
IP Control Protocol	Onvif, VISCA Over IP, VISCA TCP, NDI® (optional)
Serial Port Protocol	VISCA, Pelco D, Pelco P

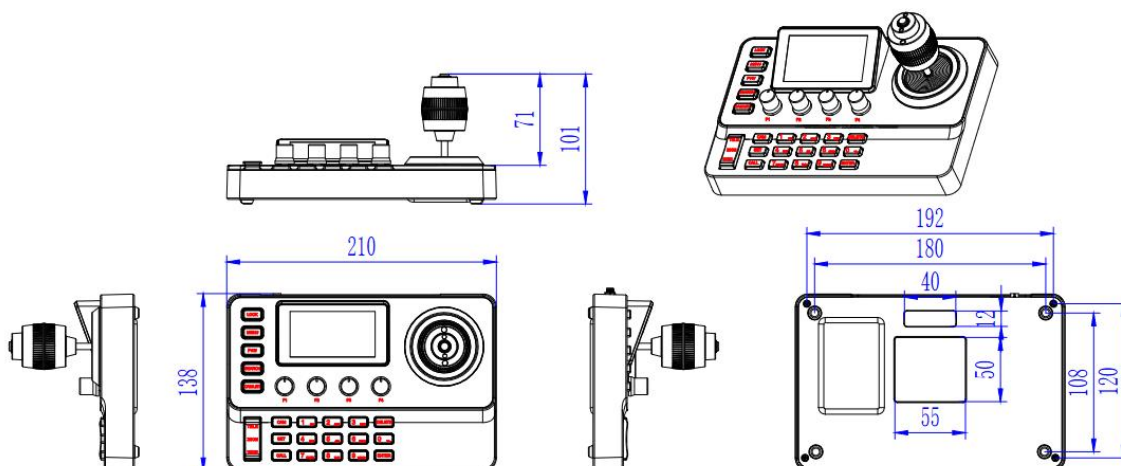
Power Supply

Input Voltage	12V
Input Current	0.25A
POE	802.3af
Rated Power	3W

General Specifications

Operating Environment	Indoor
Operating Temperature	-10°C~40°C
Storage Temperature	-20°C~60°C
Dimension	(W)210*(D)138*(H)101mm (Joystick height is included)
Weight	0.8 kg

Diagram:



Connection:

